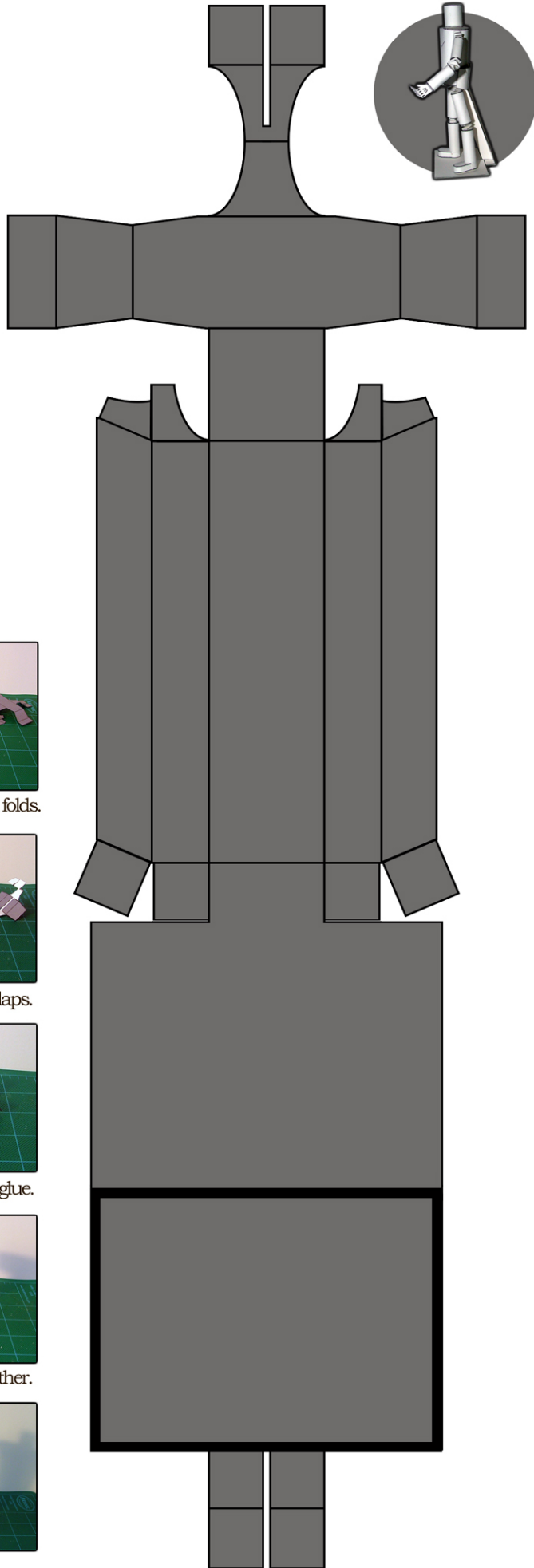
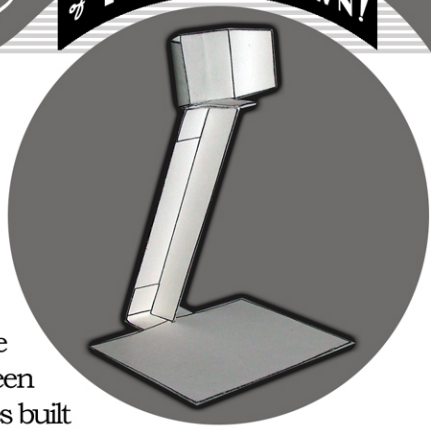
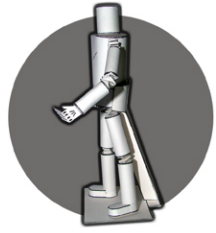


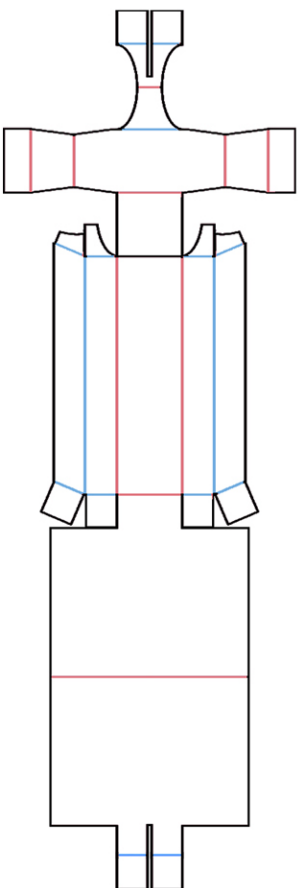
WOW! A DYNAMIC MODEL DISPLAY STAND of YOUR VERY OWN!

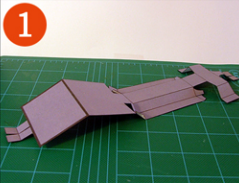


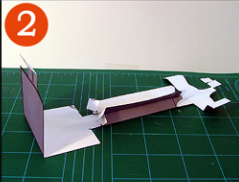
Wow! A simple, one-piece, folding display stand for your paper superheroes! Just follow the simple steps below, and in no time your figures will stand up and be counted! This unit has been designed to work with figures built using either spring or paper bead joints.

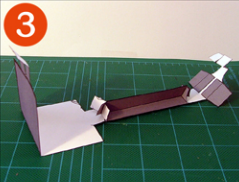
| = Fold it TOWARD you
| = Fold it AWAY from you

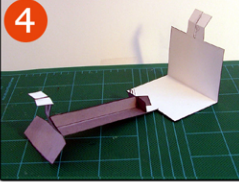
***NOTE: Make all folds with the colored side to the outside.




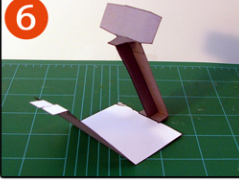
1

 Cut out and make all folds.

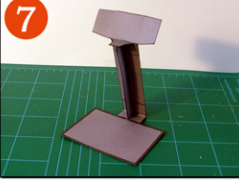
2

 Flip. Fold sides into center.


3

 Glue center and top flaps.

4

 Fold over & glue top panel.

5

 Fold flaps under and glue.

6

 Fold up and glue to base.

7

 Fold base & glue together.

8

 Curl top panel to hold figure.

9

 Your base is done!!